

LEGEND

- | | | | |
|--|--------------------------|--|---------------------------|
| | Motorised Valve | | Oil Fire Slam Valve |
| | Isolating Valve | | Temperature Relief Valve |
| | Safety Valve | | Pressure Regulating Valve |
| | Non Return Valve | | Flow Regulating Valve |
| | Pressure Relief Valve | | Pressure Reducing Valve |
| | Temperature Mixing Valve | | Automatic Air Valve |
| | Pressure Gauge | | Temperature Gauge |
| | Temperature Sensor | | Oil Tank Filter |
| | Strainer | | DW Pressurisation Pump |
| | Drain Cock | | Circulating Pump |
| | Gas Slam Valve | | Binder Test Point |
| | Direction Arrow | | Hi-Pressure Switch |
| | Low Pressure Switch | | |

Information

Notes

Non-return valves are required on Systemlink's outward zone flow pipe-work only when the zone to be piped is at a higher level than the Systemlink. In that situation, a non-return valve must be positioned in front of the zone pump. This will prevent the creation of a gravity fed, thermo-siphoning loop, which would cause continued supply of heated water to the radiators in that zone, even when the zone's pump is no longer required and has been switched off.

This schematic shows the key components in the mechanical system and the list of materials shown is not exhaustive. All systems should be installed by a qualified installer and should be installed in accordance with building regulations. Systemlink will not be held responsible for any errors shown in the schematic.

Example: Heating Schematic
2 Gas Boilers, 3 Radiator Zones, 1 DHW Zone

Scale: NTS

Rev: 001

Drawing No. 02003010

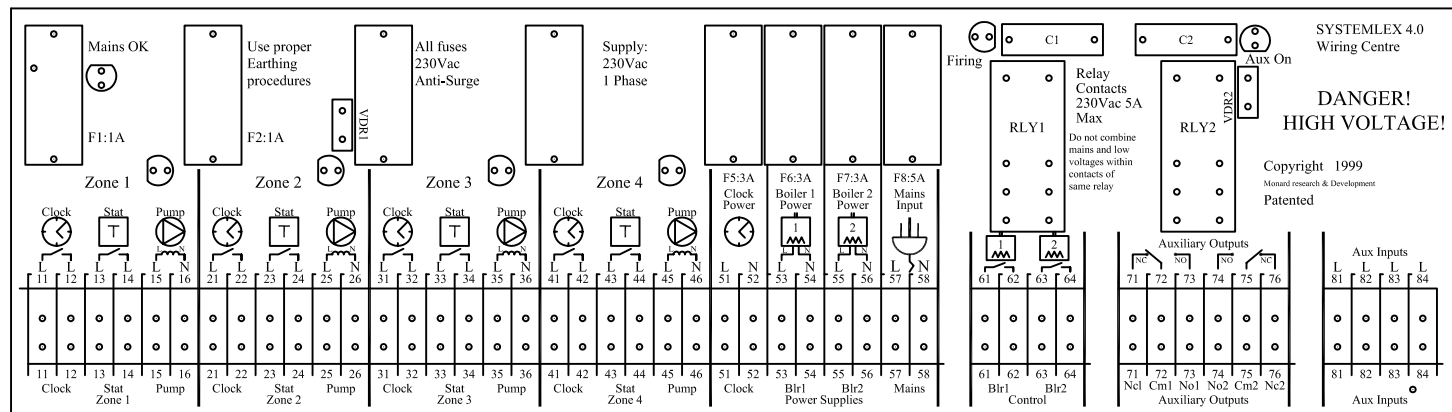
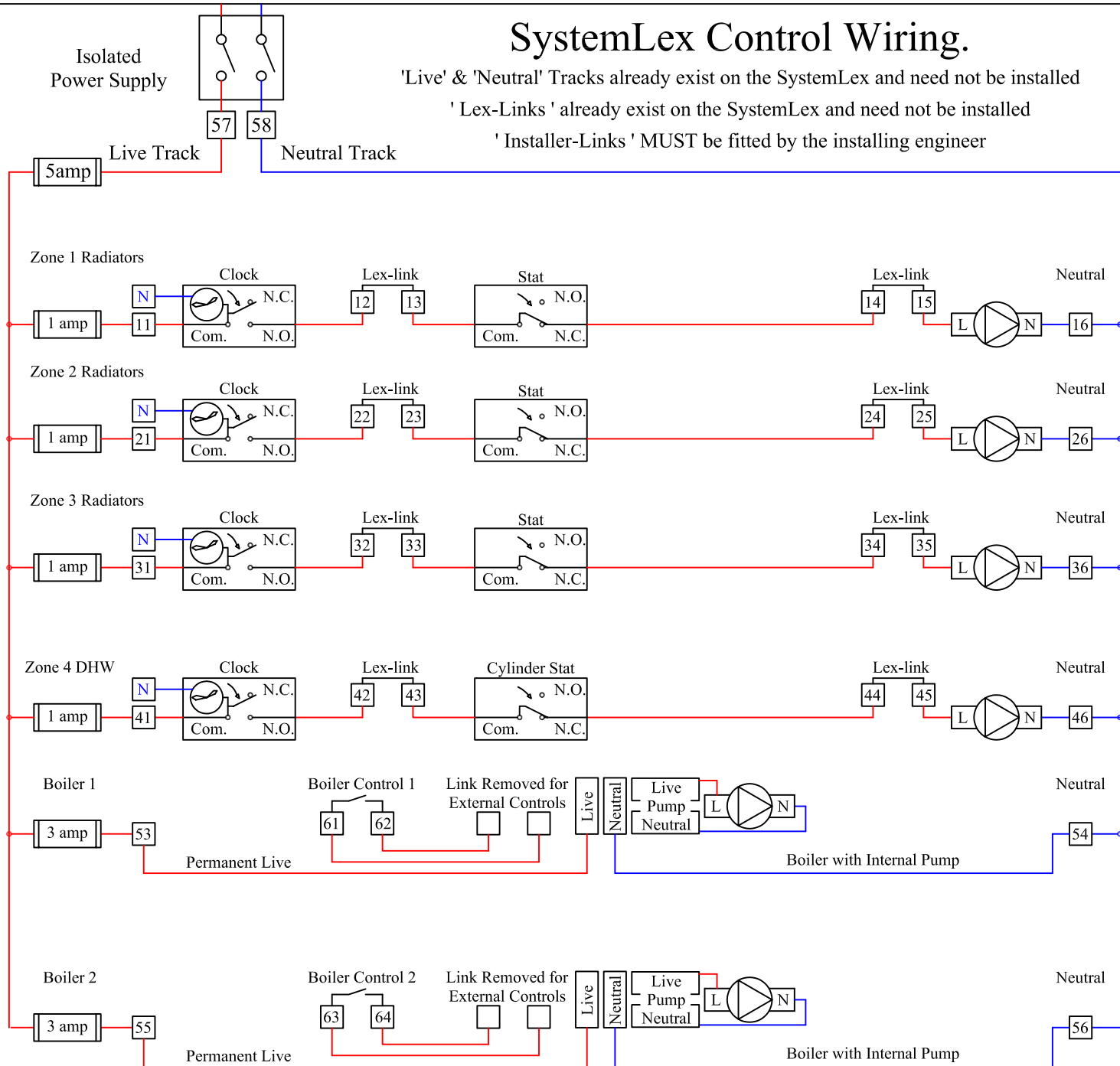
Systemlink
C2 South City Business Centre,
Tallaght, Dublin 24
Tel: 00-353-(0)1 4031200
Fax: 00-353-(0)1 4137777
e-mail: info@systemlink.ie
e-mail: info@systemlink.co.uk

SystemLex Control Wiring.

'Live' & 'Neutral' Tracks already exist on the SystemLex and need not be installed

'Lex-Links' already exist on the SystemLex and need not be installed

'Installer-Links' MUST be fitted by the installing engineer



SystemLink
C2 South City Business Centre,
Tallaght, Dublin 24
Tel: 00-353-(0)1 4031200
Fax: 00-353-(0)1 4137777
e:mail, info@systemlink.ie
e:mail, info@systemlink.co.uk

Example - Controls Wiring Schematic with SystemLex
2 Gas Boilers, 3 Radiator Zones, 1 DHW Zone

DETAILS

Scale: NTS

Rev: 001

Drawing No.
02003010

To aid diagram clarity, EARTH connections are not shown but must be installed in accordance with manufacturers instructions