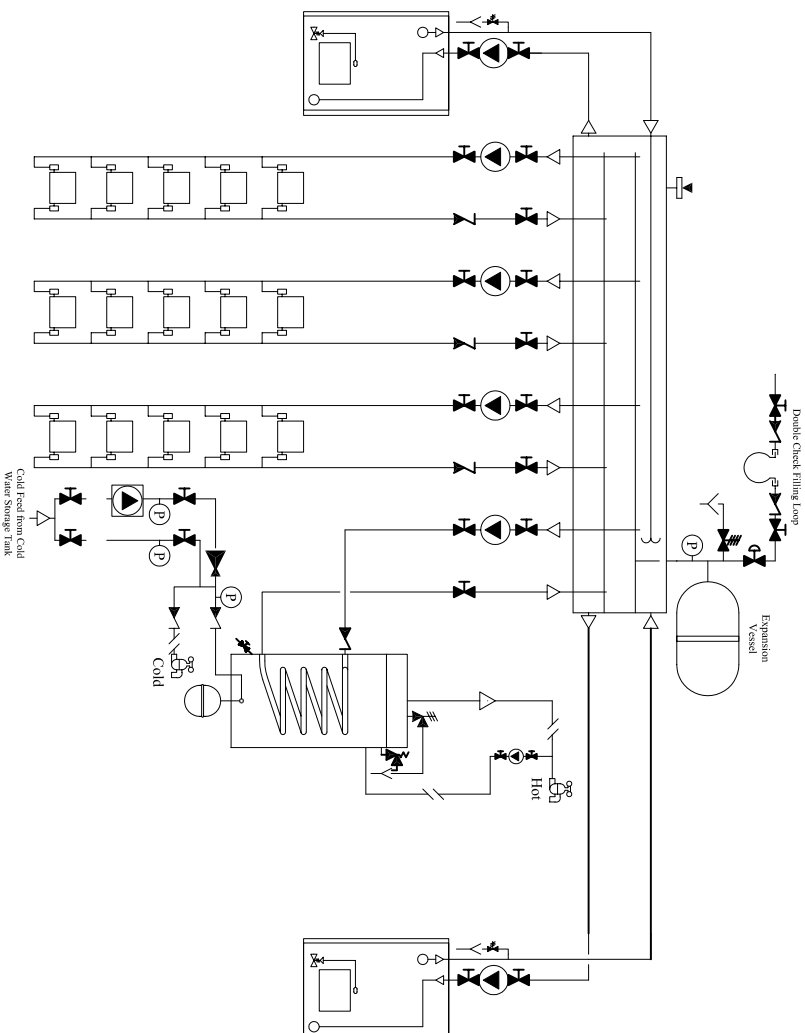


Information

Notes

Non-return valves are required on Systemlink's outward zone flow pipe-work only when the zone to be piped is at a higher level than the Systemlink. In that situation, a non-return valve must be positioned in front of the zone pump. This will prevent the creation of a gravity fed, thermo-siphoning loop, which would cause continued supply of heated water to the radiators in that zone, even when the zone's pump is no longer required and has been switched off.

This schematic shows the key components in the mechanical system and the list of materials shown is not exhaustive. All systems should be installed by a qualified installer and should be installed in accordance with building regulations. Systemlink will not be held responsible for any errors shown in the schematic.



LEGEND

	Motorised Valve		Oil Tank Filter
	Isolating Valve		Strainer
	Safety Valve		DW Pressurisation Pump
	Non Return Valve		Drain Cock
	Pressure Relief Valve		Circulating Pump
	Oil Fire Slam Valve		Gas Slam Valve
	Temperature Relief Valve		Binder Test Point
	Pressure Regulating Valve		Direction Arrow
	Temperature Regulating Valve		Hi-Pressure Switch
	Pressure Reducing Valve		
	Temperature Mixing Valve		
	Automatic Air Valve		
	Pressure Gauge		
	Temperature Gauge		
	Temperature Sensor		

Example: Heating Schematic
2 Oil Boilers, 3 Radiator Zones, 1 DHW Zone

Scale: NTS

Rev: 001

Drawing No. 00203010

Systemlink

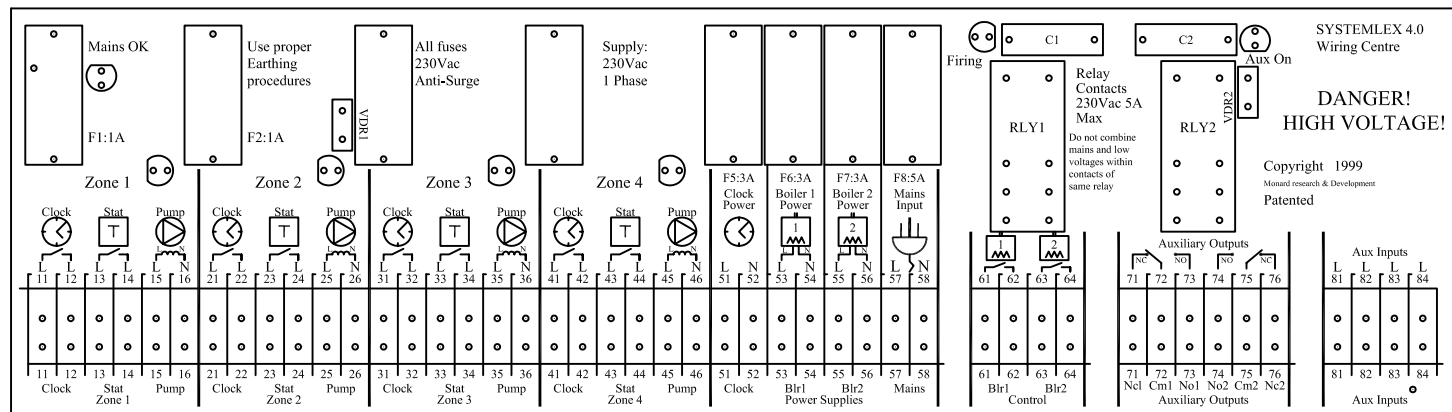
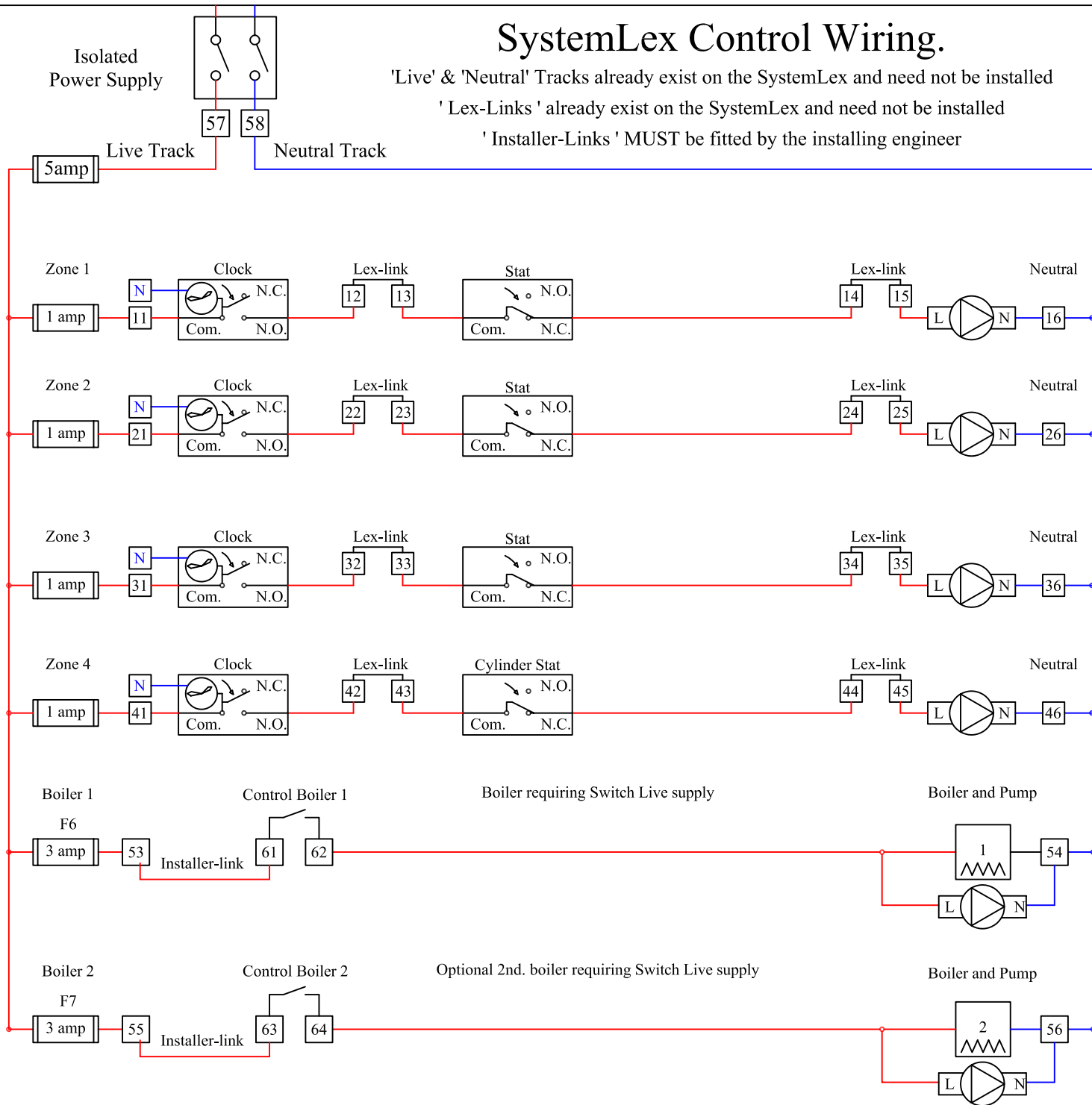
C2 South City Business Centre,
Tallaght, Dublin 24
Tel: 00-353-(0)1 4031200
Fax: 00-353-(0)1 4137777
e-mail: info@systemlink.ie
e-mail: info@systemlink.co.uk

SystemLex Control Wiring.

'Live' & 'Neutral' Tracks already exist on the SystemLex and need not be installed

'Lex-Links' already exist on the SystemLex and need not be installed

'Installer-Links' MUST be fitted by the installing engineer



SystemLink
C2 South City Business Centre,
Tallaght, Dublin 24
Tel: 00-353-(0)1 4031200
Fax: 00-353-(0)1 4137777
e:mail, info@systemlink.ie
e:mail, info@systemlink.co.uk

Example - Controls Wiring Schematic with SystemLex
2 Oil Boilers, 3 Radiator Zones, 1 DHW Zone

DETAILS

Scale: NTS

Rev: 001

Drawing No.
00203010

To aid diagram clarity, EARTH connections are not shown but must be installed in accordance with manufacturers instructions