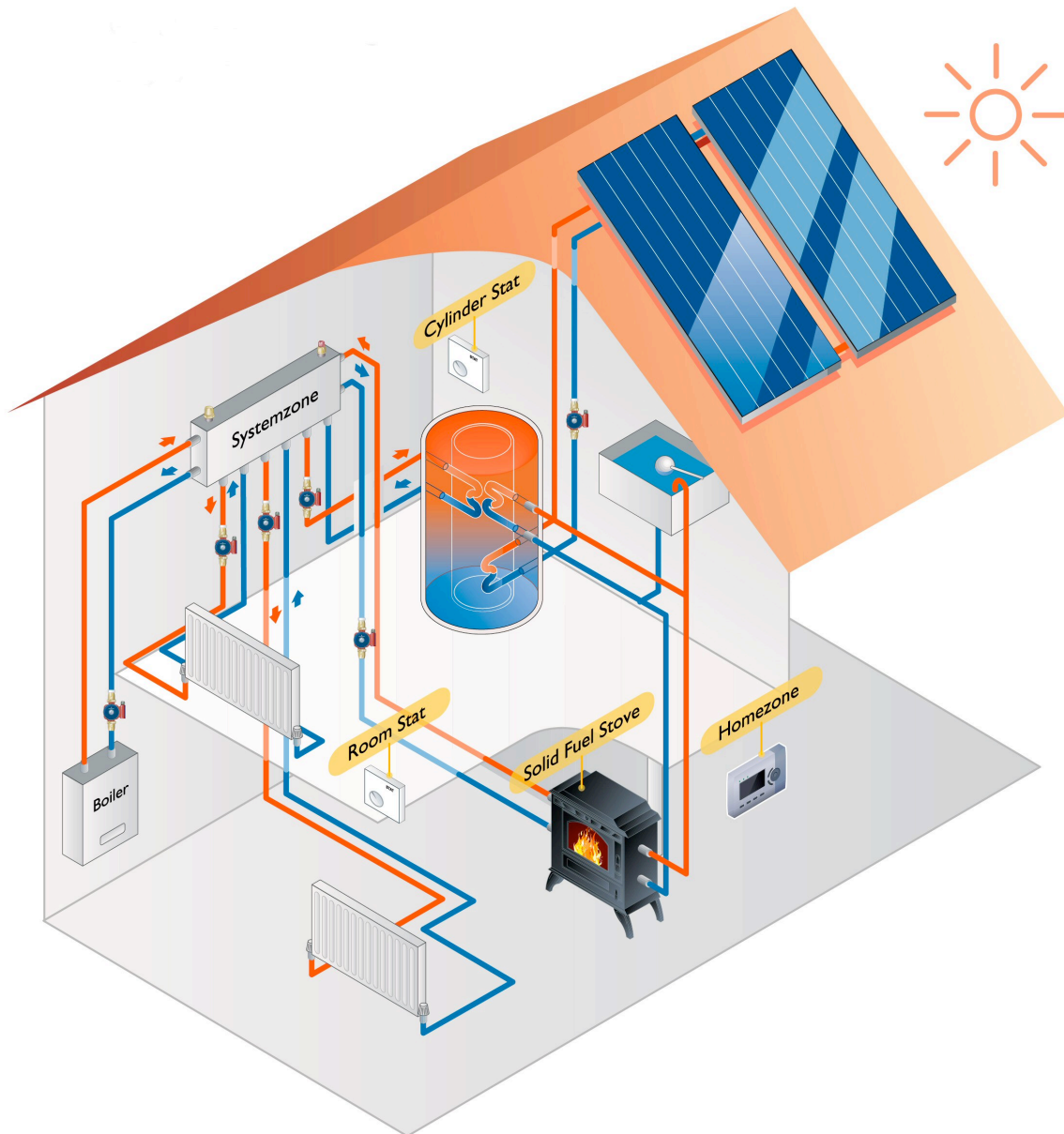


BROCHURE

systemlink

ZONED HEATING AND CONTROLS



The Complete Zoning, Control & Link-Up Solution

systemlink
ZONED HEATING AND CONTROLS

SYSTEMLINK
Distribution Manifolds &
Wiring Centres

THE SYSTEMLINK SOLUTION

The SystemLink suite of patented products efficiently creates and controls heating zones.

SystemLink/SpiroLink – Combined distribution manifold and pre-configured wiring centre.

CylinderLink - Combined Cylinder with zoning and link-up all pre-plumbed and pre-wired for ease of installation

SpiroZone – Patented distribution manifold that collects water from one or more heat sources and distributes to the zones.

HeatGenie – Patented next generation Solid Fuel Link-Up.

Heat Exchangers – Used to integrate open vented solid fuel boilers into sealed systems.

HomeZone - pre-configured, fully intuitive, three-channel time and temperature control with integrated electronic central wiring unit.

SystemLex & MiniLex - Pre-configured electronic wiring centre that connects the controls (clocks, pumps, thermostats & boilers) together in a logical and easy to understand way. SystemLex does all the complex cross-wiring for the installer.

SystemZone – Patented distribution manifold that collects water from one or more heat sources and distributes to the zones – Also available in commercial sizes.

In the pages that follow, we give full details of these innovative products and show how they solve the problems of zoning and control in a variety of configurations that challenge traditional methods.

SystemLink Product Training



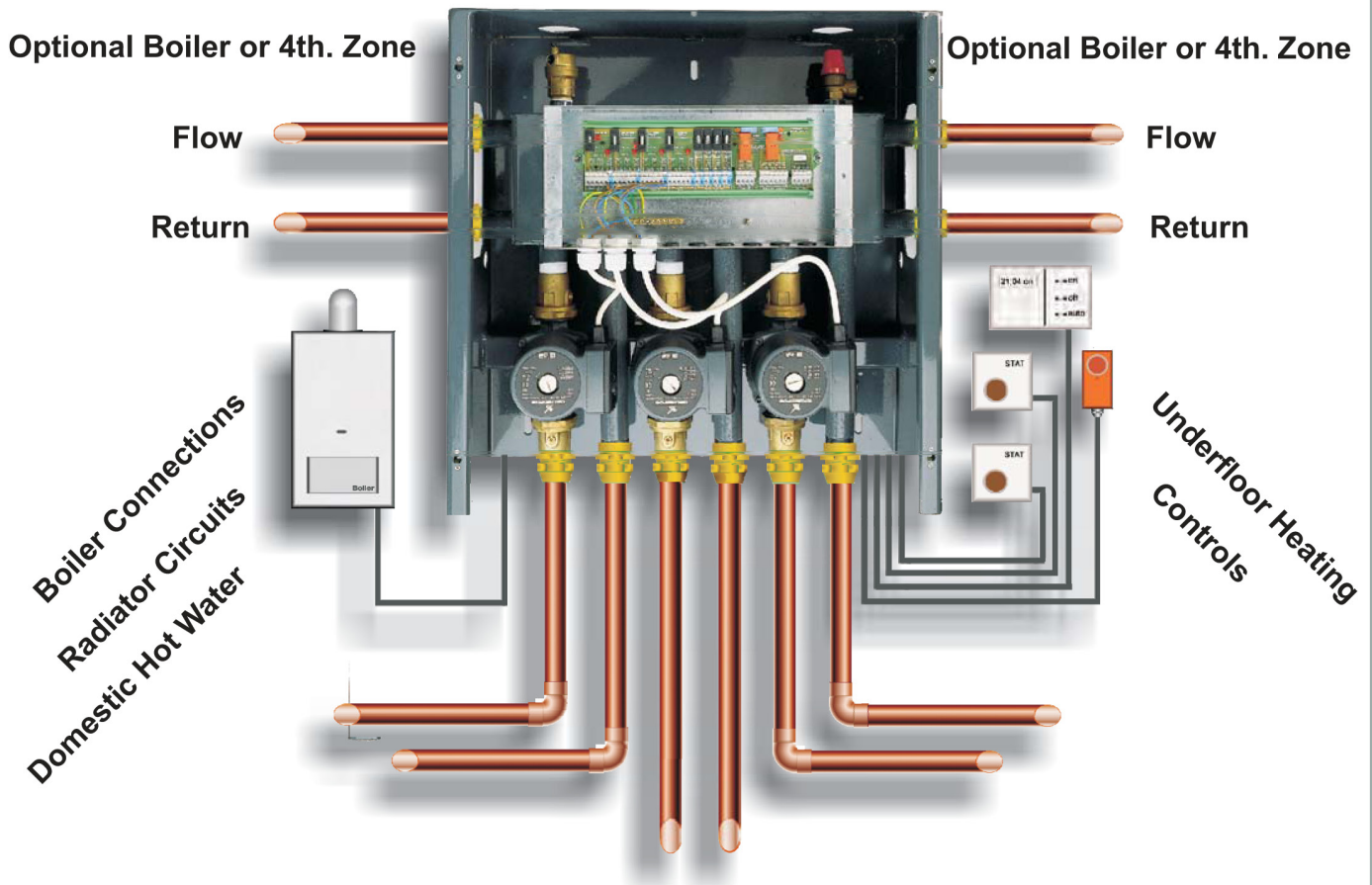
Systemlink hosts a **free** 1/2 day training course on all of our products, every 2 weeks in both our dedicated training room and other locations, which involves a detailed presentation with practical and theoretical study. There is a Q&A section at the end where you can go through specific applications for upcoming projects with our expert trainer. Refreshments and breakfast are provided and the 1/2 day allows you to get back to work in the afternoon.

Please call +353 (0) 1 4031200 for details of the next session or contact us by email at info@systemlink.ie

Contents	
Product	Page
Systemlink	3
SpiroZone	4
CylinderLink	6
Heat Genie	8
Heat Exchangers	10
SystemZone	12
Water Heaters - AO Smith & Rinnai	13
Homezone	14
SystemLex & MiniLex Wiring Centres	15

The Easy Way To Zone Heating!

A complete plumbing and electrical solution

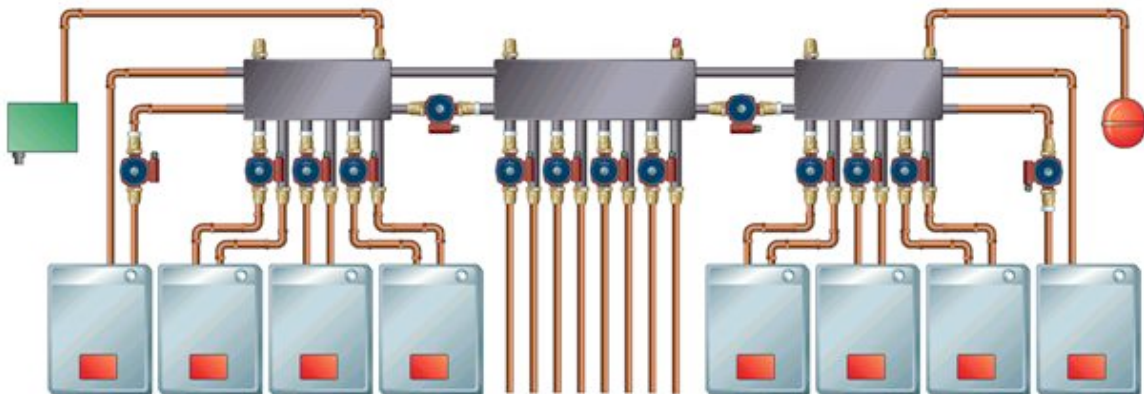


The SystemLink way of zoning and link-up can scale from small domestic to large commercial in a simple easy to follow way by cascading both our manifolds and the controlling wiring centres.

Modular arrangements using multiple smaller boilers are cheaper to operate because boilers run at optimum capacity. It is simple to arrange maintenance with the system running, and there is greater assurance of continuous operation. They are usually cheaper to install, more conveniently located, more reliable, and

service personnel for smaller boilers are more readily available. However, they have generally been avoided because of design and installation complications, and plant unreliability due to failure of critical mechanical components.

Systemlink have the solutions to all your commercial needs, please call for support and schematics for your particular application.



SpiroZone

Next Generation Zoning and Link-up
Manifold

systemlink

ZONED HEATING AND CONTROLS

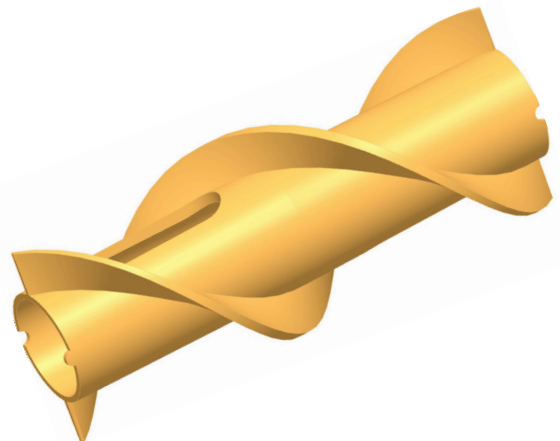
The Evolution of Zoned Heating



Benefits of SpiroZone

- Unique double helix interior results in compact design and low resistance to flow
- Controlled system by-pass – Internal valves separate hot supply and cooler return flows, thereby minimising internal leakage of heat and increasing efficiency over present designs
- Can be ordered in a range of sizes based on the number of zones and heat sources required
- Fully insulated
- Simple to install
- Can be mounted in any orientation for versatile installation with connections on top and bottom
- No need for motorised valves
- Compatible with oil, gas, solid fuel, heat pumps & solar

Available NOW!



General Information

SpiroZone is a patented distribution manifold that collects water from one or more sources and distributes it to one or more zones. Pumps are used to circulate the water, each heat source and heat zone operate independently of each other. When the pump in a particular zone or boiler circuit is inactive, no water moves in that circuit. Precisely controllable flows in multiple zones are maintained, with no crosstalk.

System design and implementation is greatly simplified. Each zone or boiler circuit can be planned as an individual module without the need to consider its effect on the rest of the system thus minimizing pumping power consumption. Internal pressure activated valves maximise thermal separation of hot supply and cooler return flows, minimising internal leakage of heat.

SpiroZone is an inexpensive and simple alternative to valve controlled zoning methods.

- Manifold is fully insulated to limit any unwanted heat loss.
- The unit is compact and weighs only 2.4kg.
- It can be orientated in ANY direction for installation.
- Built-in controlled system by-pass: Normally a by-pass must be built into a heating system for the boiler. This is already designed into the SpiroZone.
- Internal pressure activated valves maximise thermal separation of hot supply and cooler return flows, thereby minimising internal leakage of heat and increasing efficiency over present designs
- Due to the internal pressure activated valves on the by-pass circuit, Non-Return Valve's are required for all Heat Sources and Heat Zones.
- SpiroZone eliminates time consuming individual circuit balancing.
- SpiroZone automatically creates a neutral point within the unit. Balancing a conventional system can be difficult as pressure drop varies depending on what zones are open or closed at any particular moment.
- Manages heat distribution for all heat sources including oil, gas, solid fuel and geothermal.



Product code explanation

SPR	3,4,5,6,	28
SpiroZone	No. of Zones	Pipe diameter

Dimensions including Insulation:	SpiroZone 3	SpiroZone 4/5	SpiroZone 6/7
Overall Length:	233mm	373mm	513mm
Diameter:	76.5mm	76.5mm	76.5mm
Dimensions of Manifold without Insulation:	SpiroZone 3	SpiroZone 4/5	SpiroZone 6/7
Length:	233mm	373mm	513mm
Diameter:	60.5mm	60.5mm	60.5mm
Weights:	1.7kg	2.4kg	3.1kg
Distance between Flow/Return Connections on Manifold:	70mm		
Source/Zone Connection Size and Type:	1" & 3/4" BSP Female Parallel Thread		
Maximum Working Pressure:	4bar		
Maximum Heat Capacity per Connection:	Ends: 46kW Top/Bottom: 35kW		
*Maximum Overall Heat Capacity:	46kW		
Insulation Type:	Flexible Elastomeric Foam Nominal Thickness 9mm Thermal Conductivity 0.041 W/mK @ 70oC		

*Overall Heat Load Capacity based on maximum total flow rate into manifold of 2m³/h and ΔT 20K

Note: Specifications may change without notice due to product development. Please refer to latest product data sheet

CylinderLink

Zoning & Link-up Cylinders

systemlink

ZONED HEATING AND CONTROLS

What is CylinderLink?

The CylinderLink is the next generation of systemised zoning and link-up devices from Systemlink.



- All Link-up pre-plumbed and ready to connect your heat sources
- All Zoning pre-plumbed and ready to connect your heating zones
- All controls pre-wired and ready to connect your boiler control

The Simplest & Quickest Way To Link-up And Zone Your Home

CylinderLink is a pre-plumbed system combining a hot water cylinder plus zoning manifold and heat source linkup and all controlled by prewired time & temperature electronics.

Available in a range of cylinder sizes, vented and un-vented.

Benefits of CylinderLink

Mechanical:

- Suitable for combining multiple heat sources
- All zoning connections already made
- Simplifies and speeds up radiator balancing
- Automatic neutral point
- No need for unreliable motorized valves
- Built-in system bypass
- Fits in tight spaces like airing cupboards with ease

Electrical:

- Simplifies wiring of multiple heat sources and zones
- The most intuitive and easy to use 3-channel programmer on the market – HomeZone
- Suitable for underfloor, gas, geothermal, oil and solid fuel installations
- Makes troubleshooting incredibly easy due to individually numbered terminals and indicator lights
- Individually fused zones. Even if one zone goes down, the rest of the system can continue to operate normally

To Install Follow These Simple Steps

Mechanical:

1. Connect F&R from Boiler
2. Connect F&R from 2nd Heat Source
3. Connect F&R from Heating Zone 1
4. Connect F&R from Heating Zone 2
5. Connect Cold feed to Cylinder
6. Connect Hot Water draw off to feed for taps/showers

Electrical:

1. Connect HomeZone to a 230V AC supply
2. Wire HomeZone programmable clock unit with safe and easy low-voltage lightweight cabling back to HomeZone controller wiring centre
3. Connect boiler permanent live and switch cable to HomeZone
4. If solid fuel boiler/stove used then connect cable from pipe thermostat

CylinderLink Contents

- DHW Cylinder
- SpiroZone Zoning Manifold
- 3x Zone Pumps
- Pump Isolation Valves
- Homezone 3-channel Programmer and Wiring Centre
- Cylinder Thermostat
- Wireless Digital Room Thermostat

As you can see from the contents all time and temperature control of 3 zones and major pre-plumbing is included. You simply need to install your boilers and heat emitters and bring 2 pipes back from each to the CylinderLink

Cylinder Information

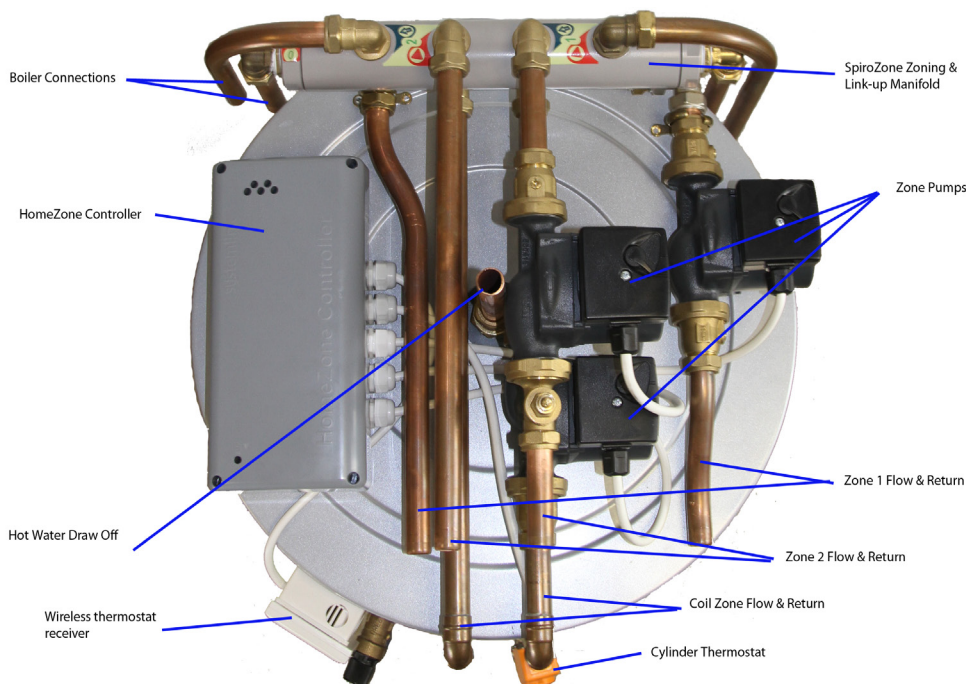
Cylinder: Sizes: 170L – 500L

Material: Stainless Steel or Copper

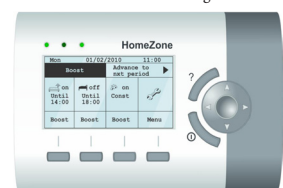
Cylinder Coils: Indirect, Dual Coil, Solar, Triple

Extra Add-Ons Available

- Remote control of the HomeZone 3-Channel Programmer using the PhoneLink GSM Module
- Heat Exchanger kit to allow interconnection of open-vented and existing sealed systems. E.g. introducing a solid fuel stove to a heating system
- Heat Exchanger kit to decrease the cylinder recovery time
- Wireless Thermostats



HomeZone 3-channel Programmer



Wireless thermostat



Heat Genie

Next Generation Solid Fuel Link-Up

systemlink

ZONED HEATING AND CONTROLS

The Evolution of Solid Fuel Link-Up



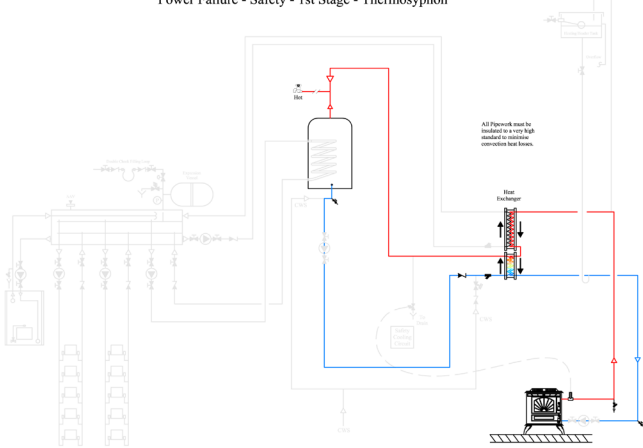
Available Now!

Benefits of Heat Genie

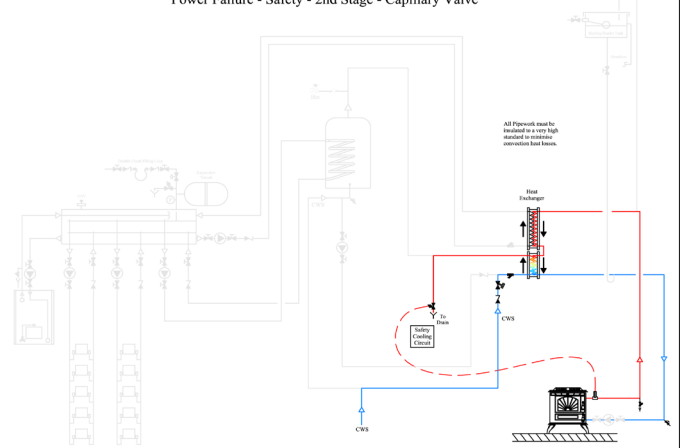
- Simplifies the most difficult of Solid Fuel installations
- Create gravity circuit where previously impossible such as bungalow installations or where the Stove is a long distance away from the Cylinder
- No need to purchase expensive new cylinder or thermal store to link-up solid fuel source
- No need for expensive cylinder coil or heat leak radiator on the gravity circuit. The Heat Genie provides the safety elements with 3 levels of safety
- Extremely rapid heating of your existing domestic hot water
- Get instantaneous hot water from your existing boiler & the solid fuel source
- Fully insulated
- Simple to install, fully labelled ports.
- No need for motorised valves

Heat Genie - Modes of Operation

Power Failure - Safety - 1st Stage - Thermosyphon

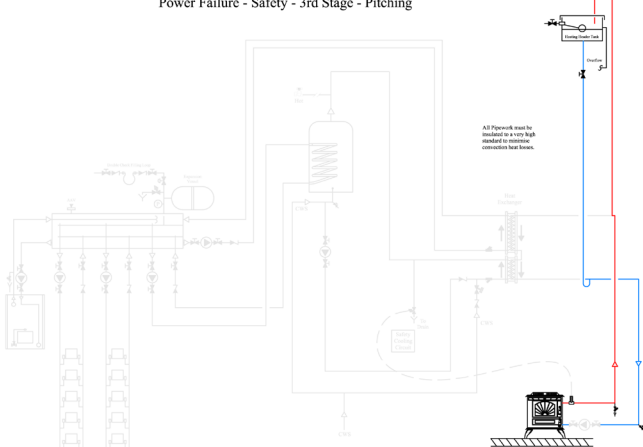


Power Failure - Safety - 2nd Stage - Capillary Valve

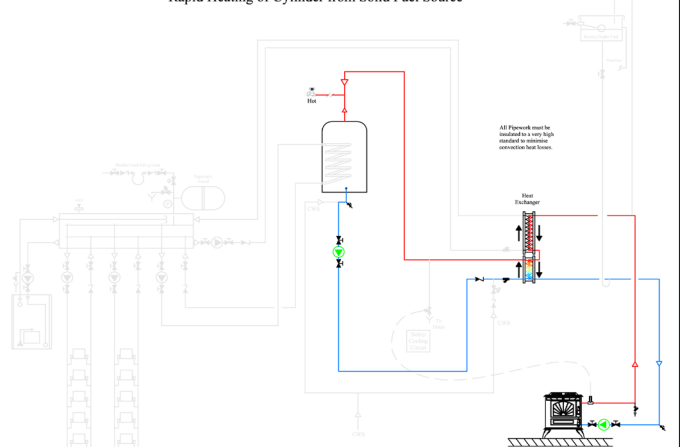


Power Failure is the first concern with any solid fuel installation as you cannot use a pump to dissipate heat in such a scenario. All solid fuel installations must have a way to function safely in this scenario. The Heat Genie has a number of different safety stages to allow for this as seen in the diagrams above and below.

Power Failure - Safety - 3rd Stage - Pitching

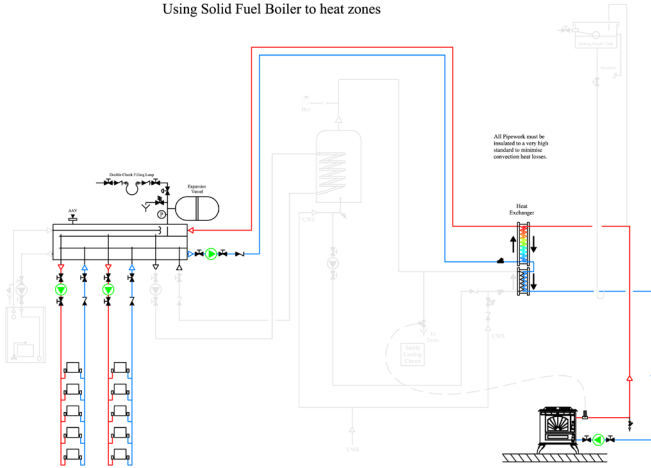


Rapid Heating of Cylinder from Solid Fuel Source

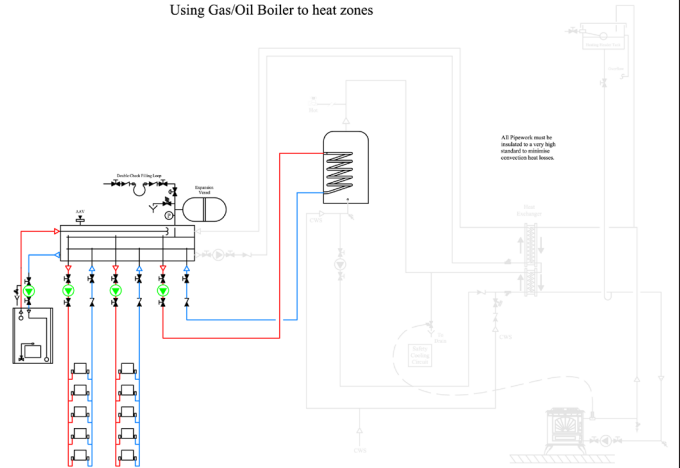


For the vast majority of the time the system will be in normal operation mode allowing the use of pumps, thermostats and controls to distribute the heat around your heating system in an efficient manner.

Using Solid Fuel Boiler to heat zones



Using Gas/Oil Boiler to heat zones



Heating of zones is automatically handled by the Heat Genie controls without any need for manual intervention. You will never have to choose which heat source to use, this will be decided by a thermostat which will automatically switch between heat sources when required in the most efficient way.

Heat Exchangers

systemlink

ZONED HEATING AND CONTROLS



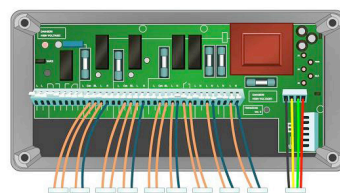
The Easy Way of Combining Sealed & Open Vented Systems

A SystemZone Manifold &
Plate Heat Exchanger
efficiently connects an
Open-Vented Solid Fuel
Stove to your Sealed Heating
System

Available NOW!

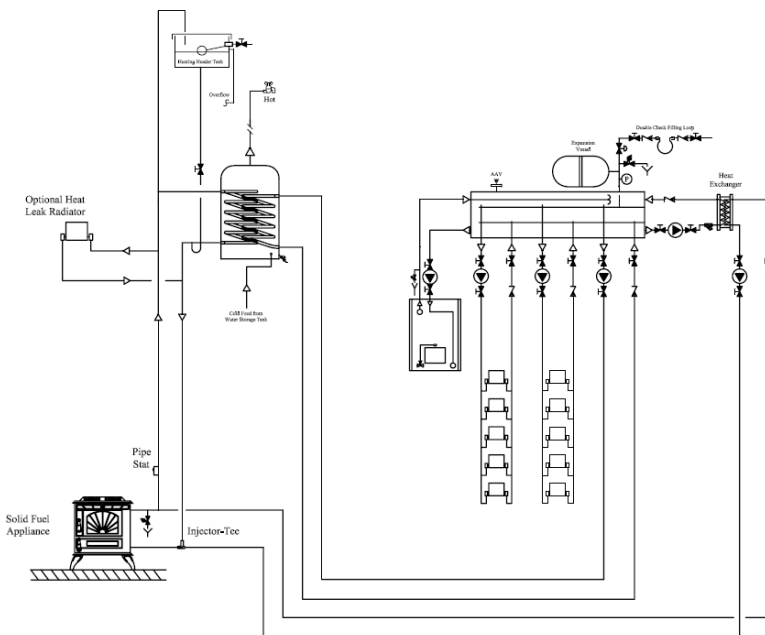
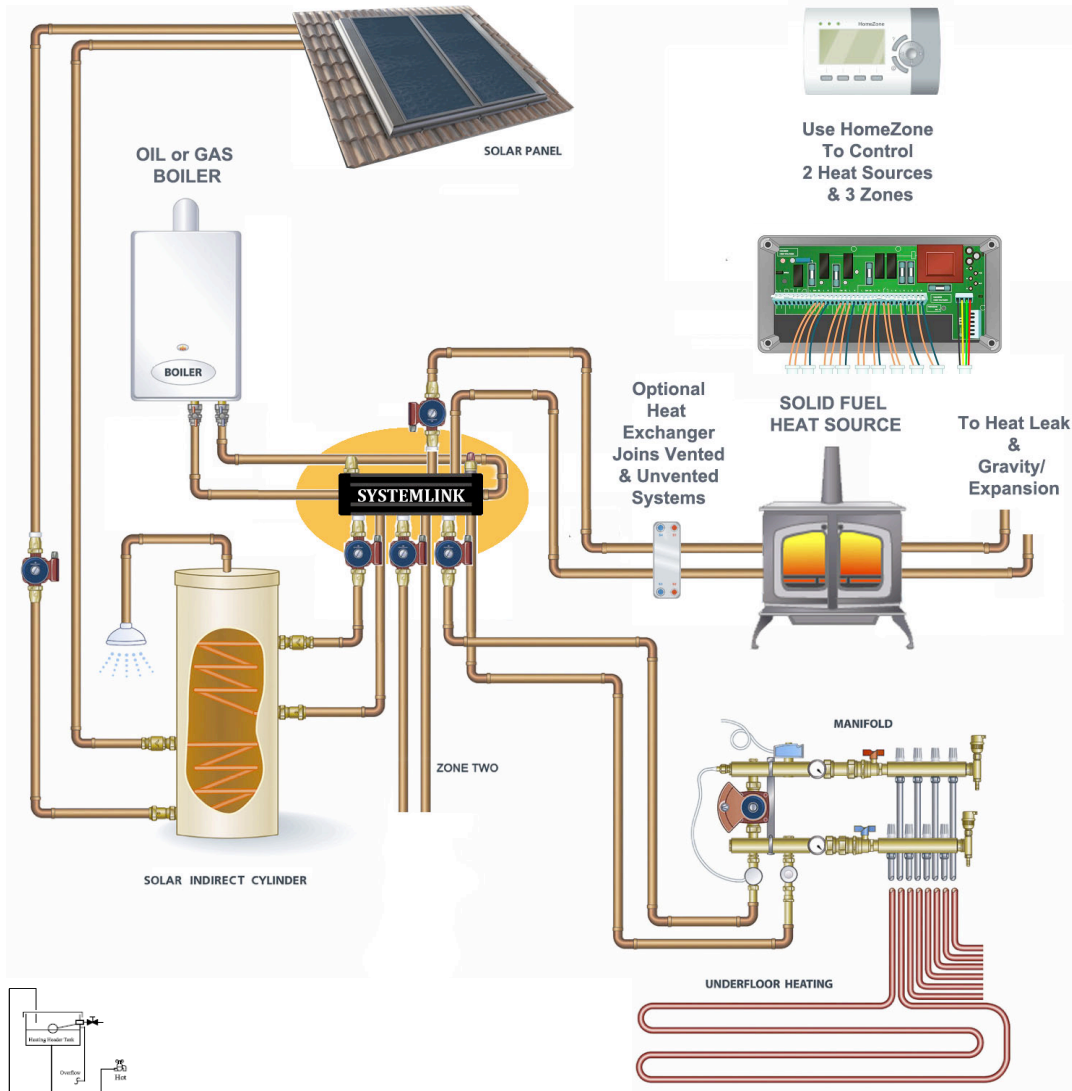
Benefits

- Easy to install
- Available in 15kW, 20kW & 30kW, sized specifically for solid fuel temperatures
- Insulated or Non-Insulated options available
- Easy to control when used with one of our wiring centers
 - HomeZone Controller or SystemLex



Thinking of Installing a Solid Fuel Stove/Back Boiler?

The SystemLink Solution



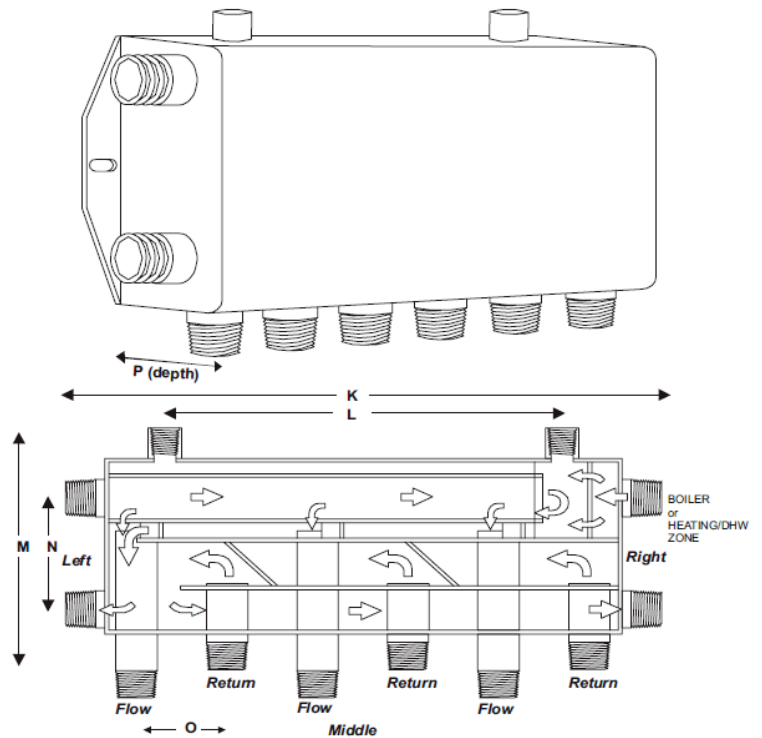
Need Technical Support?
Plumbing / Wiring Diagrams?

Example: Solid Fuel Stove – 2 pipe arrangement with Plate Heat Exchanger

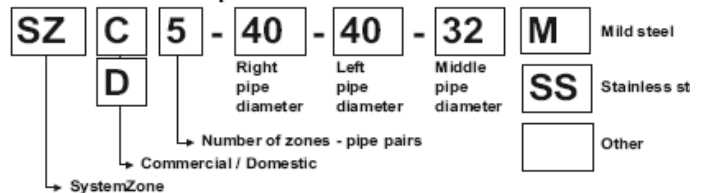
SYSTEMZONE - COMMERCIAL & RESIDENTIAL

SystemZone is a patented distribution manifold that collects heated or cooled fluid from one or more sources and distributes it to one or more zones. Pumps are used to circulate the fluid and safety routes are always open. SystemZone is a cheap and simple alternative to custom designed, valve controlled zoning methods:

- SystemZone isolates and controls heating water collection and distribution circuits. Each circuit is independent of all others – no water flows if the circuit's pump is not operating.
- SystemZone stratifies hot and cold water, ensuring that zones draw from only the hottest water.
- SystemZone has connection points for ancillary safety devices, safety valves and expansion tanks. It has an unobstructed internal baffle system and contains no moving parts for long-term trouble-free use. SystemZone also eliminates the need for motorised valves and a system bypass.
- In a standard, simple, configuration one or two heat sources may be connected to the SystemZone (including Solid Fuel Appliances).
- SystemZone is particularly suited to systems where high velocity is required. This means independent pump speeds may be selected to closely match a particular zone's water velocity requirements.
- SystemZone is suitable for the largest commercial, industrial and district heating applications.
- SystemZone makes it simple to use multiple heat sources because each heat source is automatically isolated from all the others without the need for valves.



Product code explanation



Description	Product Code	Material	Pipe Sizes (INCHES BSP)				Dimensions (cm)						Heat Capacity*		
			Left	Rt	Mid	Top	K	L	M	N	O	P	Left	Rt	Mid
4 Port	SZD4-28-28-28	Mild Steel	1	1	1	½	31.0	17.0	23.5	9.5	7.0	8	43	43	43
5 Port	SZD5-28-28-28	Mild Steel	1	1	1	½	45.0	31.0	23.5	9.5	7.0	8	43	43	43
6 Port	SZD6-28-28-28	Mild Steel	1	1	1	½	59.0	45.0	23.5	9.5	7.0	8	43	43	43
4 Port	SZC4-32-32-28	Mild Steel	1 ¼	1 ¼	1	½	36.5	17.0	23.5	9.5	7.0	8	56	56	43
5 Port	SZC5-32-32-28	Mild Steel	1 ¼	1 ¼	1	½	50.5	31.0	23.5	9.5	7.0	8	56	56	43
6 Port	SZC6-32-32-28	Mild Steel	1 ¼	1 ¼	1	½	64.5	44.5	23.5	9.5	7.0	8	56	56	43
4 Port	SZC4-40-40-32	Mild Steel	1 ½	1 ½	1 ¼	½	46.0	26.5	26.0	11.7	10.0	12.5	87	87	56
5 Port	SZC5-40-40-32	Mild Steel	1 ½	1 ½	1 ¼	½	66.0	46.5	26.0	11.7	10.0	12.5	87	87	56
6 Port	SZC6-40-40-32	Mild Steel	1 ½	1 ½	1 ¼	½	86.5	66.5	26.0	11.7	10.0	12.5	87	87	56
4 Port	SZC4-50-50-32	Mild Steel	2	2	1 ¼	¾	60.0	38.5	28.0	12.5	12.5	15.0	137	137	56
5 Port	SZC5-50-50-32	Mild Steel	2	2	1 ¼	¾	85.0	63.0	28.0	12.5	12.5	15.0	137	137	56
6 Port	SZC6-50-50-32	Mild Steel	2	2	1 ¼	¾	110.0	88.0	28.0	12.5	12.5	15.0	137	137	56
4 Port	SZC4-50-50-40	Mild Steel	2	2	1 ½	¾	60.0	38.5	28.0	12.5	12.5	15.0	137	137	87
5 Port	SZC5-50-50-40	Mild Steel	2	2	1 ½	¾	85.0	63.0	28.0	12.5	12.5	15.0	137	137	87
6 Port	SZC6-50-50-40	Mild Steel	2	2	1 ½	¾	110.0	88.0	28.0	12.5	12.5	15.0	137	137	87

* Heat Capacity based on water velocity of 1.5m/s and ΔT 11K

NOTE: SPECIFICATIONS SUBJECT TO CHANGE

WATER HEATERS

Rinnai

Continuous Flow Gas Water Heaters

- The Rinnai Infinity does not run out of hot water
- Space saving, compact design means no floor space is taken up
- Optional controllers allow you to control water temperature
- Endless hot water delivered more efficiently and with greater control
- Highly efficient, saving you up to 30% on your hot water gas bill
- Condensing models now available

The Rinnai Continuous Flow Hot Water System suits many commercial as well as all domestic applications - hotels/motels, schools, care homes, child care centres, restaurants, hospitals, caravan parks, hairdressing salons, factories, facilities, showers.



AO Smith

Innovation has a name.

Storage Water Heaters

- Atmospheric water heater with thermal flue spillage protection and piezo ignition
- Low noise level, suitable for installation in most locations
- Ring base for easy installation and lower heat losses
- Replaceable magnesium sacrificial anode
- Safety thermostat
- EQ 280/380 have access covers for waterside tank maintenance
- EQB: maximum temperature setting of 81°C
- Suitable for natural or LP gas

The units in the EQ range of direct-fired gas water heaters have been designed to enable the separation of heating and hot water production in vented and unvented residential or light commercial applications. A high-efficiency burner and baffle design ensure rapid heat-up times and efficient and economical hot water production.



Wireless and wired digital room and cylinder thermostats available now.



Systemlink Ltd., Unit C2 South City Business Centre, Tallaght, Dublin 24, Ireland

Phone +353 (0) 1 4031200 Fax +353 (0) 1 4137777

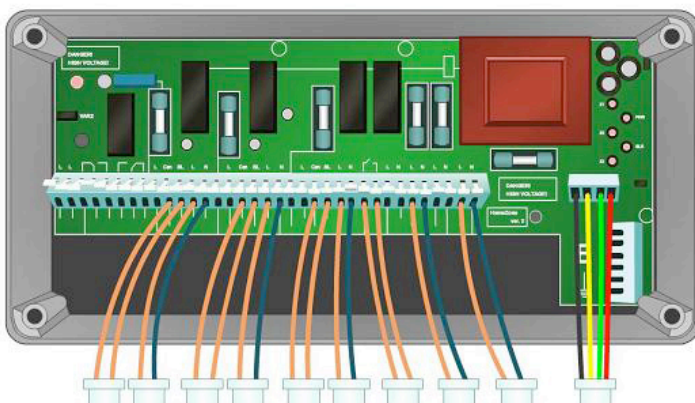
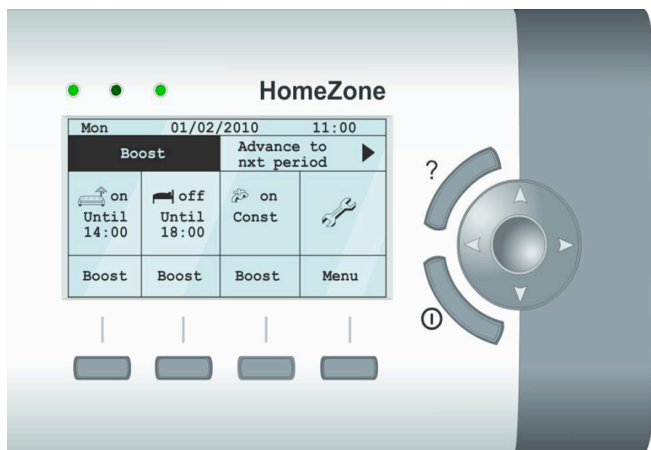
Email: info@systemlink.ie Web: www.systemlink.ie

HomeZone

The Ultimate Home Controller

systemlink

ZONED HEATING AND CONTROLS



Boost & Advance:

Boost is used to provide instant heat or hot water regardless of the mode the zone is in. Any zone can be boosted between 1-3hrs OR be set to constant. If left on constant, the zone will revert back to programmed mode after 24 hrs.

Advance is used to cycle each zone through its pre-set heating periods. This feature is useful, for example, if the user comes home from work early and the heating is not due to turn on for another few hours. Press it to fast-forward to the next 'ON' period.

What is HomeZone?

HomeZone is a two part heating control system comprising of a **Programmer** and a **Controller**.

The Programmer is a user friendly graphical user interface using LCD display that clearly indicates the status of your heating system at all times, zone by zone, including DHW.

The Controller is a pre configured electronic wiring centre that connects the controls (clocks, thermostats, pumps, heat sources) together in a logical and easy to understand way. The controller and the programmer are connected together by means of a 4-wire BUS.

Benefits of HomeZone

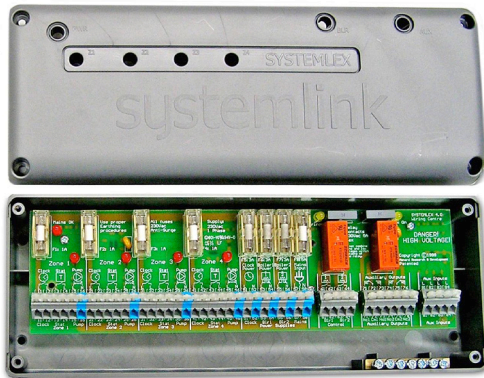
The User:

- Intuitive to use
- Boost and Advance Features
- Automatic summer time adjustment
- Holiday Mode
- Internal thermostat
- Battery back up
- Built-in frost protection
- Stylish Contemporary Design
- Independently fused zones – if there is a problem with a zone the rest of the system continues to function
- Stand-by mode
- Childlock

The Installer:

- Step-by-step Installer mode
- Simpler System wiring; simplifies wiring of multiple heating zones
- Built in lights to indicate correct operational status and assist system fault finding
- Pre-fused power supply with independently fused zones
- Suitable for use with all heat sources including Solid Fuel systems
- Works with pumps or motorised valve systems
- Works with most thermostats
- Clearly identified terminals for thermostat and pump connections

SYSTEMLEX & MINILEX



THE SYSTEMLEX	THE MINILEX
Controls up to four zones with two heat sources and four independent inputs to an auxiliary double pole relay	Controls up to three zones with one heat source. The auxiliary function is not included.

Features:

- Simplifies wiring of multiple heat sources and heating zones
- Easier to set up. Pre-fused power supply with independently fused zone provision and clearly identified terminals for clock and thermostat connections
- Suitable for gas, geothermal, oil and solid fuel installations – pumps or motorised valve systems
- Built-in lights to indicate correct operational status and assist in system fault finding
- Versatile - works with all forms of heating control including clocks, thermostats and programmers
- SystemLex has been designed with the electrician in mind, featuring push-fit wiring terminals, connections for zone thermostats, time controls, zone pumps, boiler power and automatic boiler control.
- SystemLex incorporates full board and independent zone fusing with built in indicator lights to identify power, zone and heat source call.
- Please see the SystemLex and MiniLex technical specifications datasheets for more details. Available upon request.

Available NOW!

NEW for HomeZone
The **PhoneLink** GSM Module



Now you can precisely control your heating from your mobile phone.

- Connects directly to the HomeZone BUS connection
- No additional wiring necessary
- Simple to use. Uses the same commands as on the HomeZone, such as Boost, Advance, Stand-by.

Forgot to switch off your heating before you left?
No problem, send a “Stand-by” text message to the HomeLink.

Want to have hot water on your return?
No problem, send a “Boost DHW” text message to the HomeLink.

Description	Features	Product code
SystemLink/SpiroLink - Complete Plug and Play Packs		
SystemLink 5	5 ports for zones or boilers includes SystemLex & pumps	SLK5-28-28-28
SystemLink 6	6 ports for zones or boilers includes SystemLex & pumps	SLK6-28-28-28
HomeLink 5	5 ports for zones or boilers includes HomeZone & pumps	HLK5-28-28-28
HomeLink 6	6 ports for zones or boilers includes HomeZone & pumps	HLK6-28-28-28
CylinderLink		
CylinderLink 5	Comes in a variety of Cylinder Sizes, vented or unvented.	
SpiroZone - Domestic		
SpiroZone 3	3 ports for zones or boilers	SPD4
SpiroZone 4	4 ports for zones or boilers	SPD4
SpiroZone 5	5 ports for zones or boilers	SPD5
SpiroZone 6	6 ports for zones or boilers	SPD6
SpiroZone 7	7 ports for zones or boilers	SPD7
SystemZone - Commercial		
SystemZone 4 32-32-28	4 ports for zones or boilers	SZC4-32-32-28
SystemZone 5 32-32-28	5 ports for zones or boilers	SZC5-32-32-28
SystemZone 6 32-32-28	6 ports for zones or boilers	SZC6-32-32-28
SystemZone 4 40-40-32	4 ports for zones or boilers	SZC4-40-40-32
SystemZone 5 40-40-32	5 ports for zones or boilers	SZC5-40-40-32
SystemZone 6 40-40-32	6 ports for zones or boilers	SZC6-40-40-32
Wiring Centres		
SystemLex	Controls up to four zones with two boilers and four independent inputs to an auxilliary double pole relay	SLXE-V4
MiniLex	Controls up to three zones with one boiler	MLX-V5E
HomeZone		
HomeZone	3-Channel Time/Temp Programmer & Wiring Centre	HZC-3
HomeZone Pack	HomeZone + Room Stat + Cylinder Stat	HZP
PhoneLink	GSM Communicator Module for HomeZone	HZGSM
Thermostats		
Homestat	Digital room thermostat	
Wireless thermostat	Digital wireless room thermostat	
Solid Fuel Heat Exchangers		
15kw	Connects an open-vented solid fuel source to an unvented heating system. Comes with or without insulation in a range of sizes	HEX15KW
20kw		HEX20KW
30kw		HEX30KW
Heat Genie		
15kw Heat Genie	Everything our simple heat exchangers do plus rapid hot water heating and solid fuel safety without the need for an extra cylinder coil or heat leak radiator.	HG15KW
20kw Heat Genie		HG20KW
30kw Heat Genie		HG30KW

Systemlink Ltd., Unit C2 South City Business Centre, Tallaght, Dublin 24, Ireland

Phone +353 (0) 1 4031200 Fax +353 (0) 1 4137777

Email: info@systemlink.ie Web: www.systemlink.ie